

REVISIONS				
ZONE	REV.	DESCRIPTION	DATE	APPROVED
		ORIGINAL RELEASE	5/5/98	

**SPECIFICATIONS:**

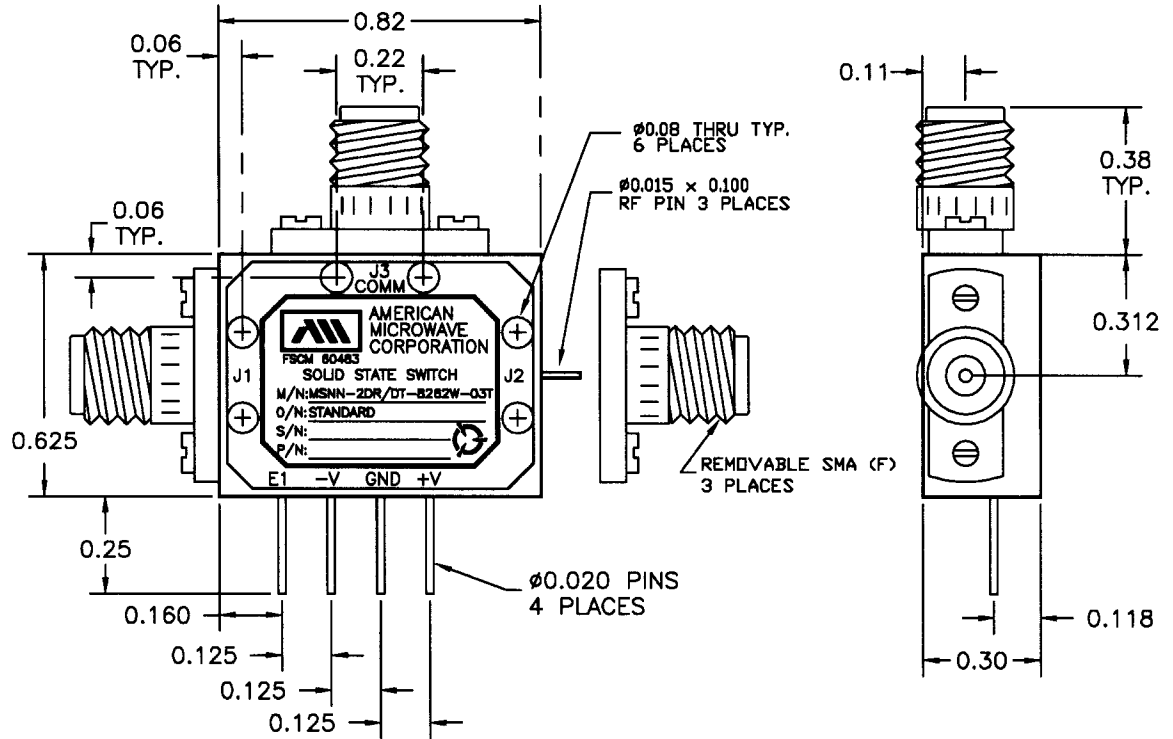
- FREQUENCY: 0.5 GHz TO 18 GHz
- INSERTION LOSS: REFLECTIVE: 2.5db  
ABSORPTIVE: 3.5db
- ISOLATION: 0.5 GHz TO 2 GHz: 60db  
2 GHz TO 18 GHz: 50db
- VSWR: REFLECTIVE IN/OUT: 2.0:1  
ABSORPTIVE IN/OUT: 2.0:1  
ABSORPTIVE OUT/OFF: 2.0:1
- SPEED: RISE: 10ns TYPICAL, 15ns MAX.  
FALL: 10ns TYPICAL, 15ns MAX.  
DELAY ON: 75ns TYPICAL, 100ns MAX.  
DELAY OFF: 75ns TYPICAL, 100ns MAX.
- POWER INPUT: (CW)+20dBm (STANDARD), +10 dBm (HIGH SPEED)
- SURVIVAL POWER: 1 WATT CW, 10 WATTS PEAK 1 usec
- CONTROL: TTL LOGIC "0"=ON "1"=OFF
- POWER SUPPLY: +5V @ 100 mA MAX.  
-5V @ 75mA MAX.(RELECTIVE)  
100mA MAX.(ABSORPTIVE/NON-REFLECTIVE)

M/N=MODEL NUMBER  
O/N=OPTION NUMBER  
S/N=SERIAL NUMBER  
P/N=PART NUMBER

**OPTIONS:**

SINGLE CONTROL WITH SOLDER PIN STANDARD

- IND-SP INDEPENDANT CONTROL WITH SOLDER PIN
- 10M18 10 MHz TO 18 GHz (INSERTION LOSS INCREASES BY 1.5db AT 10 MHz AND 0.5db AT 18 GHz)
- 100M18 100 MHz TO 18 GHz (INSERTION LOSS INCREASES BY 1.5db AT 100 MHz AND 0.5db AT 18 GHz)
- 118 1 GHz TO 18 GHz (NO CHANGE IN INSERTION LOSS)
- 218 2 GHz TO 18 GHz (NO CHANGE IN INSERTION LOSS)
- 412 4 GHz TO 12.4 GHz (NO CHANGE IN INSERTION LOSS)
- 618 6 GHz TO 18 GHz (NO CHANGE IN INSERTION LOSS)
- 1218 12 GHz TO 18 GHz (NO CHANGE IN INSERTION LOSS)
- 100M20 100 MHz TO 20 GHz (INSERTION LOSS INCREASES BY 1.5db AT 100 MHz AND 1.0db AT 20 GHz)
- 220 2 GHz TO 20 GHz (INSERTION LOSS INCREASES BY 1.0db AT 20 GHz)
- 1020 10 GHz TO 20 GHz (INSERTION LOSS INCREASES BY 1.0db AT 20 GHz)
- B01 -12V POWER SUPPLIES
- B02 -15V POWER SUPPLIES
- B03 REVERSE LOGIC "1"=ON "0"=OFF
- B04 DRIVERLESS, CURRENT CONTROLLED
- B05 HIGH SPEED, TURNON/TURNOFF 20 nsec MAXIMUM WHEN APPLICABLE OR OPTION HS
- B06 HIGH POWER - SPECIFY CW POWER, PEAK POWER, PULSE WIDTH, DUTY CYCLE, RF FREQUENCY AND BANDWIDTH
- B07 CUSTOM DESIGNED PRODUCT- SPECIFY INITIALS OF CUSTOMER
- B08 LOW VIDEO TRANSIENTS - SPECIFY VIDEO BANDWIDTH
- B09 LOW INSERTION LOSS VERSION
- B10 HIGHER ISOLATION VERSION



**ENVIRONMENTAL RATINGS:**

- TEMPERATURE: -55°C TO +85°C (OPERATING)  
-65°C TO +125°C (STORAGE)
- HUMIDITY: MIL-STD-202F, METHOD 103B COND. B
- SHOCK: MIL-STD-202F, METHOD 213B COND. B
- VIBRATION: MIL-STD-202F, METHOD 204D COND. B
- ALTITUDE: MIL-STD-202F, METHOD 105C COND. B
- TEMPERATURE CYCLE: MIL-STD-202F, METHOD 107D COND. A

ALL DIMENSIONS ARE IN INCHES  
TOLERANCES:

X.XX ±0.020  
X.XXX ±0.010

NOTE: THE ABOVE SPECIFICATIONS ARE SUBJECT TO CHANGE OR REVISION

PART NO.		AMERICAN MICROWAVE CORPORATION FREDERICK, MARYLAND		
APPROVALS	DATE	TITLE OUTLINE DRAWING		
DRAWN WSP	5/5/98	MSNN-2DR/DT-8262W-03T-STANDARD REFLECTIVE OR NON-REFLECTIVE/ABSORPTIVE SOLID STATE SWITCH		
CHECKED		SIZE A	FSCM NO. 60483	DWG NO. 100-4402-1
ISSUED		SCALE		REV. 1 of 1